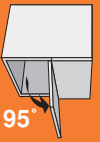


CLIP top inset blind corner hinges



Features

- 95° opening angle
- 3-dimensional adjustment
- All metal hinge, nickel plated
- Available INSERTA tool free attachment

Cover caps
 Mounting plates
 BLUMOTION for doors

page 27
 pages 43-47
 page 73

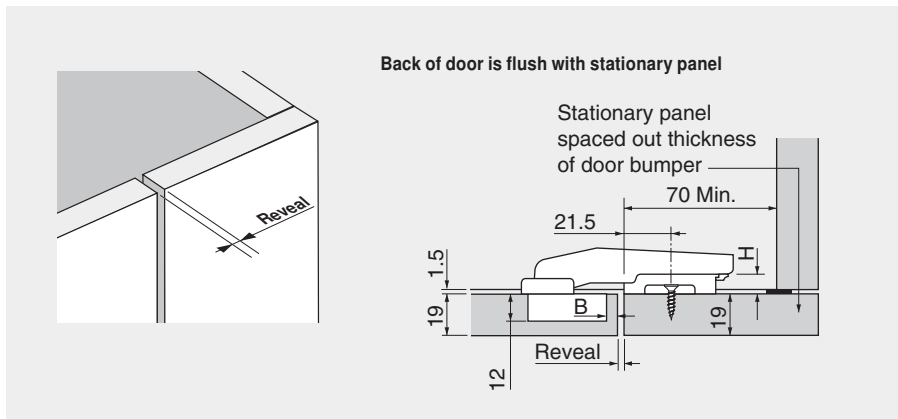
Minimum Reveal

Minimum reveal table						
0.1	0.3	0.4	0.5	0.9	1.3	3
0.1	0.3	0.4	0.5	0.9	1.3	4
0.1	0.4	0.4	0.5	0.9	1.3	5
0.1	0.3	0.4	0.5	0.9	1.2	6
0.1	0.3	0.4	0.5	0.9	1.2	7
16	18	19	20	22	24	B
T Door thickness						Bore

Cross reference the door thickness and bore distance to assure that doors won't bind when opened.

CLIP top/CLIP

Flush door applications



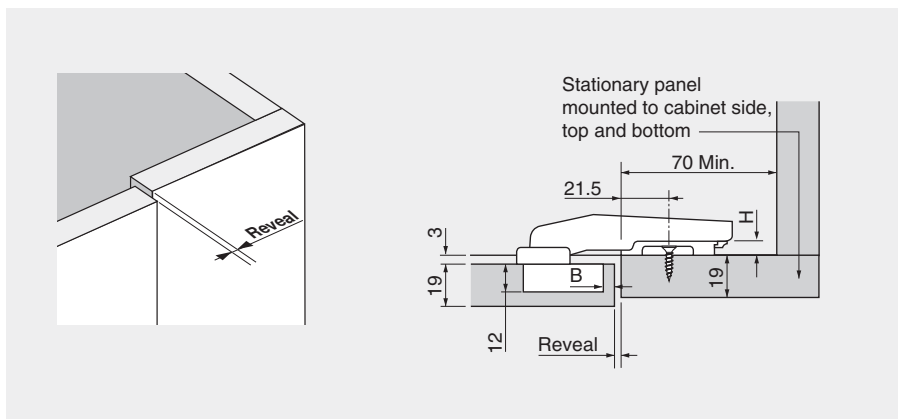
Inset blind corner hinges		Self close
Screw on		79T9550
Press-in		79T9580
INSERTA		79T9590

Reveal table							
3	5	4	3	2	1	33.5	
H	3	4	5	6	7	P	
Plate	B Bore distance					S	Clearances

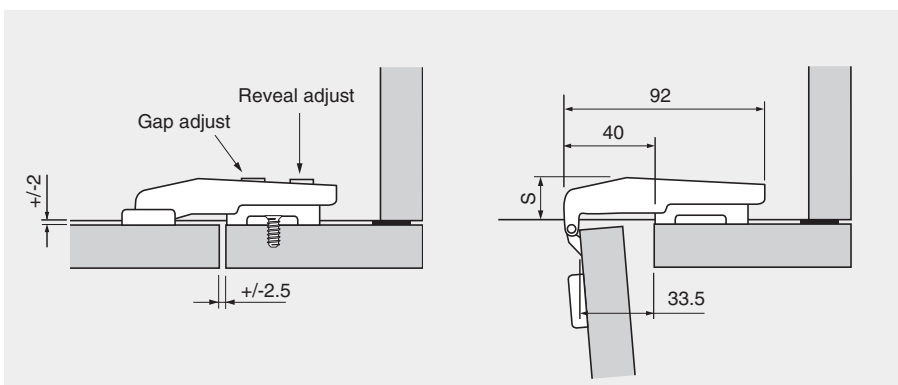
Inset blind corner hinges		Self close
Screw on		79T9550
Press-in		79T9580
INSERTA		79T9590

Reveal table							
0	5	4	3	2	1	33.5	
H	3	4	5	6	7	P	
Plate	B Bore distance					S	Clearances

Offset door applications



Adjustments and clearances



For more information on using this section see page 5.
 All dimensions in millimeters (inch equivalents as shown).
 Subject to technical modifications without notice. © 2004