

CLIP top thick door hinges



CLIP top/CLIP



Features

- 95° opening angle
- 3-dimensional adjustment
- All metal hinge, nickel plated
- Available INSERTA tool free attachment

Cover caps
Mounting plates
BLUMOTION for doors

page 27
pages 43-47
page 73

Minimum Reveal

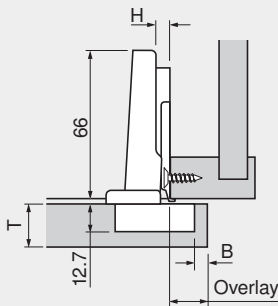
Minimum reveal table								
0.4	0.9	1.3	1.8	2.6	3.1	3.8	3	
0.4	0.9	1.3	1.8	2.5	2.9	3.5	4	
0.4	0.9	1.3	1.8	2.4	2.8	3.3	5	
0.4	0.9	1.3	1.8	2.3	2.7	3.2	6	
0.4	0.9	1.2	1.7	2.2	2.6	3.1	7	
19	22	24	26	28	29	30	B	Bore
								T Door thickness

Cross reference the door thickness and bore distance to assure that doors won't bind when opened.

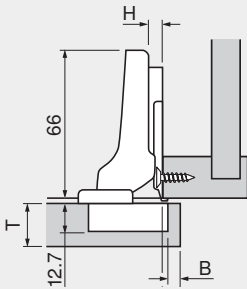
See back cover fold out for more specifications →

Frame cabinet applications

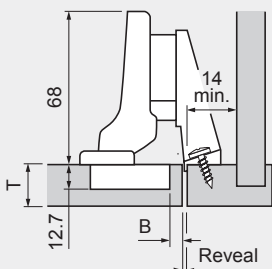
Overlay door



Partial overlay door

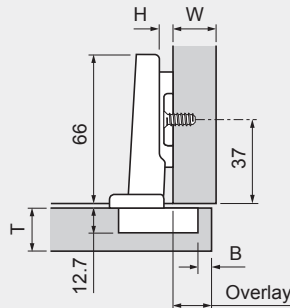


Inset door

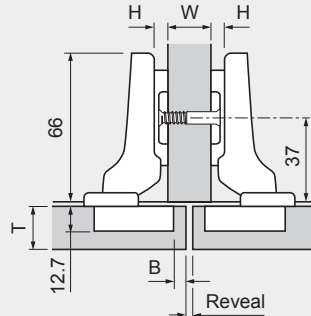


Panel cabinet applications

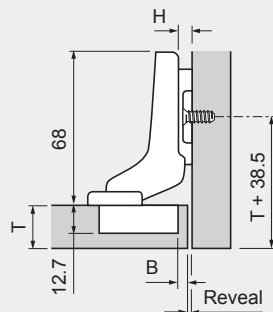
Overlay door



Twin overlay doors



Inset door



Straight arm hinges

	Self close	Free swing
Screw on	71T9550	70T9550
Press-in	71T9580	70T9580
INSERTA	71T9590	-

Overlay table								
0	14	15	16	17	18	14.5	22	
3	11	12	13	14	15	17.5	25	
4.5	9.5	10.5	11.5	12.5	13.5	19	26.5	
6	8	9	10	11	12	20.5	28	
9	5	6	7	8	9	23.5	31	
H	3	4	5	6	7	P	S	
Plate	B Bore distance					Clearances		

11 fixed distance

NOTE: 4.5 plate only available for face frame, 9 plate only available for panel cabinets

Half-cranked hinges (9.5mm)

	Self close	Free swing
Screw on	71T9650	70T9650
Press-in	71T9680	-
INSERTA	71T9690	-

Overlay table							Partial overlay	
0	4.5	5.5	6.5	7.5	8.5	24	31	
H	3	4	5	6	7	P	S	
Plate	B Bore distance					Clearances		

1.5 fixed distance

Reveal table						Twin overlay		
0	7	5	3	1	-	16	24	31
	10	8	6	4	2	19		
H	3	4	5	6	7	W	P	S
Plate	B Bore distance					Panel	Clearances	

Full-cranked hinges (18mm)

	Self close	Free swing
Screw on	71T9750	70T9750
Press-in	71T9780	-
INSERTA	71T9790	-

Reveal table								
0	4	3	2	1	-	32.5	40	
H	3	4	5	6	7	P	S	
Plate	B Bore distance					Clearances		

- 7 fixed distance

NOTE: On frame applications select a half-cranked hinge from above and use mounting plate 175H5030.21

For more information on using this section see page 5.
All dimensions in millimeters (inch equivalents as shown).
Subject to technical modifications without notice. © 2004