

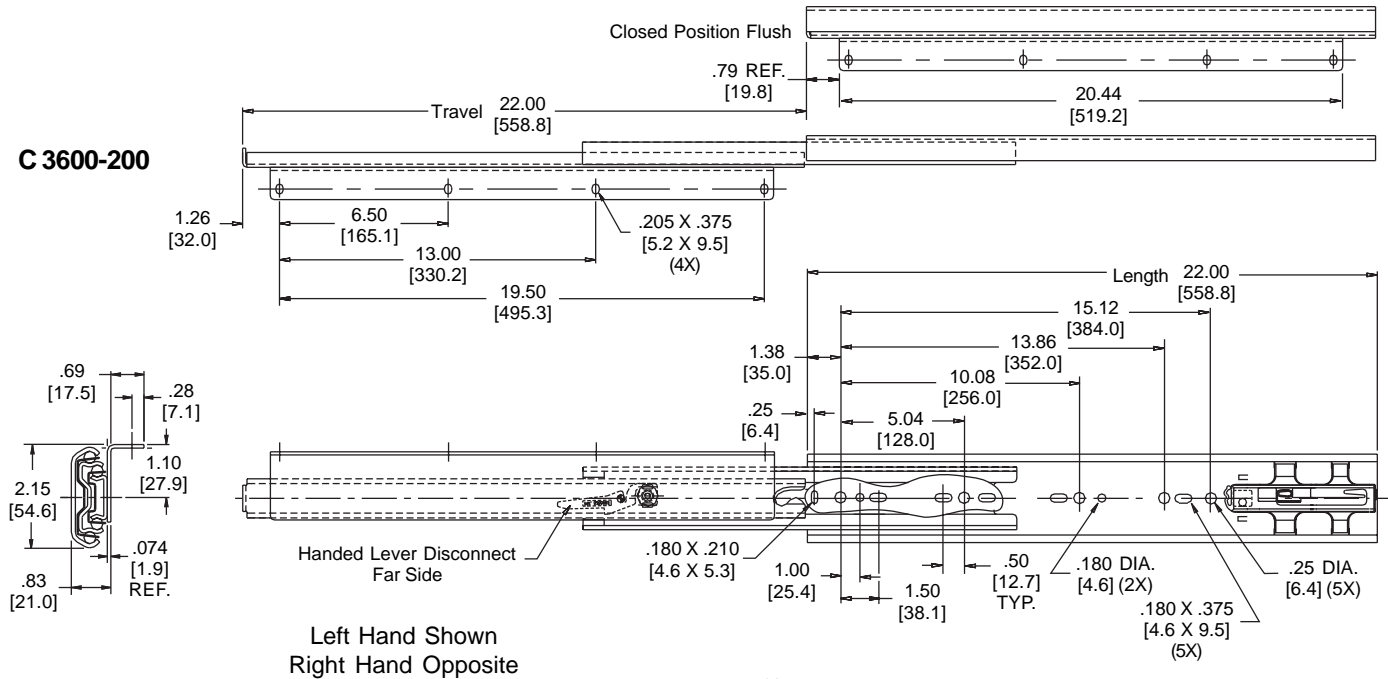


**APPLICATIONS:** Use in kitchen and utility rooms for trash can pull-outs, pull-out storage shelves, and pantries.  
**This product is covered by U.S. (6,145,945) and various foreign patents issued and/or pending.**

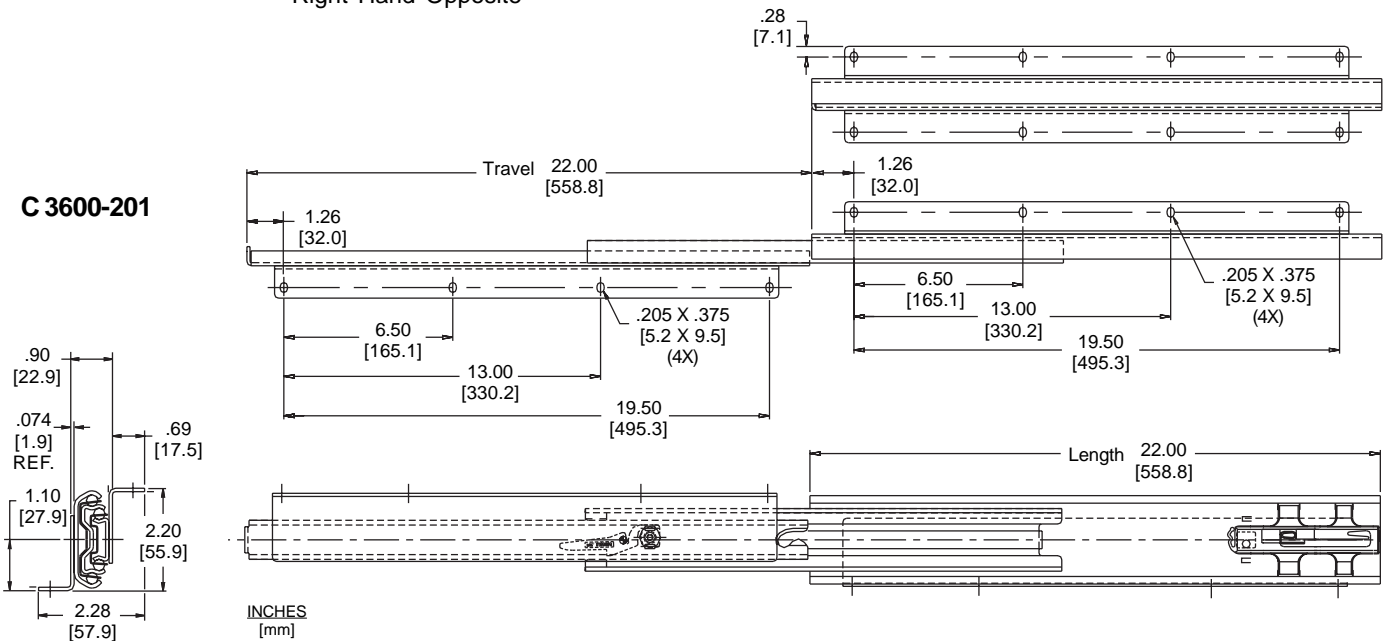
**MODEL 3600-200**  
 with 32mm System Holes

**MODEL 3600-201**  
 StowAway Slide  
 Bracket Mounting, Self-Close  
 175 lb. [80 kg.] Capacity

**C 3600-200**



**C 3600-201**



**Finish** Bright electro-zinc (C) plating **only**

**Length** 22" [559mm] **only**

**Travel** Full extension

**Height** 3600-200 with bracket: 2.15" [54.6mm]  
 3600-201 with brackets: 2.20" [55.9mm]

**Sidespace** 3600-200 with bracket: .83" [21.0mm]

**Load** 175 lbs. [80 kg.] per pair\*\*

**Mounting** 3600-200: Fixed inboard bracket  
 3600-201: Fixed inboard top bracket and fixed outboard bottom bracket

**Hardware** Through slide: #8 truss head screws  
 Through brackets: #10 pan head screws

**Features** Handed slide. Self-close action eliminates bounce-back and drawer creep. Handed lever disconnect. Silencing open and closed.

\*\* Load rating based on 22" slides on a 16" wide shelf cycled 10,000 times.

## Installation Instructions

### Model 3600-200 Fixed Inboard Mounting Bracket

- To ensure proper operation of the slide, make certain all mounting screws are inserted so the screw heads are inside the slides.
 

**NOTE:** Secure slides using **minimum** of 4 screws per slide and 4 screws per bracket.
- With the slides fully extended, install slide outer members (largest) into cabinet using #8 screws (or 6mm System screws, not provided by Accuride). Be sure slides are parallel.
- With slides extended, center the platform and drive the #10 screws up through the moving member brackets into the bottom of the platform.
- Adjust slide position until movement is smooth. Tighten all screws to complete installation.

### Model 3600-201 Fixed Inboard Top Mounting Bracket and Fixed Outboard Bottom Mounting Bracket

- Mark a line at least .28 [7.1mm] in from the right side of the cabinet opening and parallel to the cabinet side.
- Locate a point on this line 1.26" [32.0mm] back from the desired front of the slide.
- Using #10 screws, mount the cabinet member bracket through the first hole at this point.
- Mount the left hand slide similarly, locating the screw centerline of the cabinet member bracket at least .28 [7.1mm] in from the left side of the opening.
- Keeping the right and left hand slides parallel, install the remainder of the cabinet member screws.
 

**NOTE:** Secure slides using 4 screws per bracket.

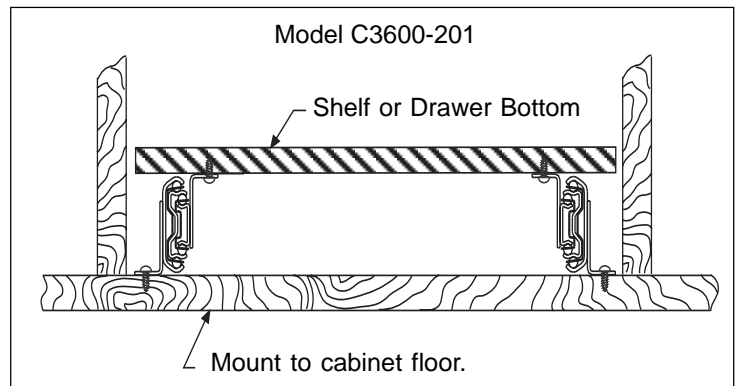
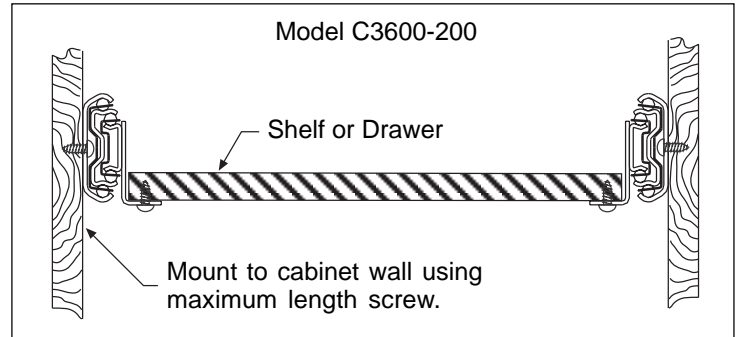
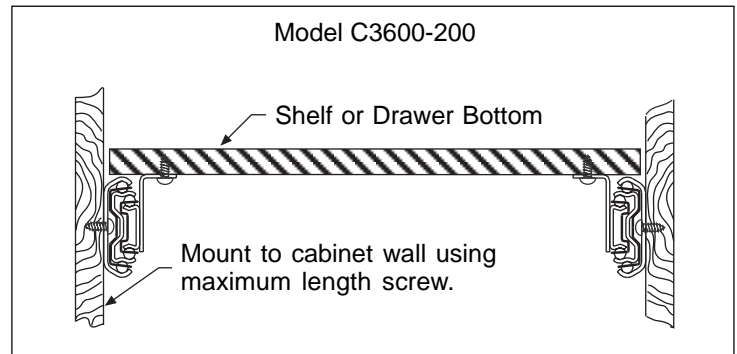
**NOTE:** When using soft material such as particle board, replace the rear cabinet mounting screws with through bolts.
- With slides extended, center the platform and drive the screws up through the moving member brackets into the bottom of the platform.

## Slide Ordering Instructions

Complete your order for Accuride model 3600-200 or 3600-201 by specifying the following. Slides are handed. Ordered as pairs.

	4 Pair	C	3600 -200	D
Total Slides Required	_____	_____	_____	_____
Slide Finish	_____	_____	_____	_____
Slide Model With Fixed Inboard Bracket	_____	_____	_____	_____
Optional Polybag Packaging	_____	_____	_____	_____

	4 Pair	C	3600 -201	D
Total Slides Required	_____	_____	_____	_____
Slide Finish	_____	_____	_____	_____
Slide Model With Fixed Inboard Top Bracket and Fixed Outboard Bottom Bracket	_____	_____	_____	_____
Optional Polybag Packaging	_____	_____	_____	_____



## Packaging

Models C3600-200 and C3600-201 are available in distributor packaging only.

### Distributor (D) Pack:

Packaged 4 pair per box. Polybag includes 1 pair of slides packed with mounting screws.

## Specifications

Slide members: Cold rolled steel  
Ball retainers: Cold rolled steel  
Ball bearings: Carburized steel

**Note:** Specifications, materials, prices, terms, and delivery are subject to change without notice.

# Accuride

ACCURIDE INTERNATIONAL INC.

12311 Shoemaker Avenue  
Santa Fe Springs, CA 90670

TEL (562) 903-0200

FAX (562) 903-0208

www.accuride.com

Manufacturing, Engineering, and Sales

United States • Germany • Japan • Mexico • United Kingdom