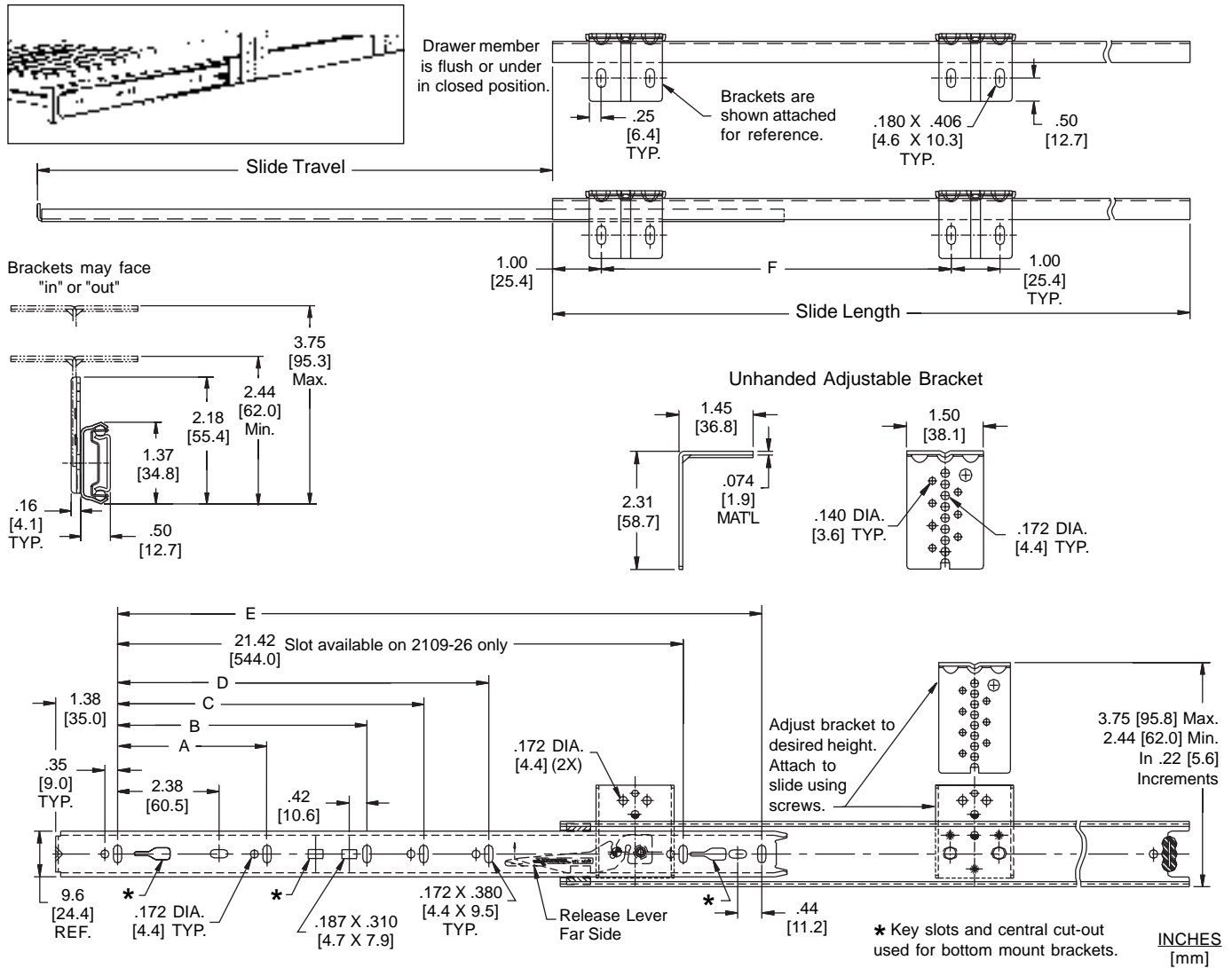


APPLICATIONS: Computer keyboards, writing and typewriter shelves. Use anywhere an adjustable height shelf or shallow drawer is suspended over or under a work surface. This product is covered by various U.S. patents issued (# 6,145,945) and pending.

Variable Height Keyboard Slide
75 lb. [34 kg.] Capacity**



- Finish** Bright electro zinc (C) or black α (CB) electroplating
- Length** 12" to 28" [300mm to 700mm]
- Travel** 3/4 Extension
- Sidespace** 1/2" [12.7mm]
(21/32" including bracket)
([16.7mm including bracket])
- Load** 75 lbs. [34 kg.] per pair**
- Movement** Steel ball bearings
- Brackets** Variable height, inboard/outboard
- Features** Detent in and out, lever disconnect, silencing in and out
- Hand** Left hand slide shown, right hand slide opposite

▣ Minimum order quantity may apply.
** Load rating based on an 18" slide on a 16" wide drawer cycled 50,000 times.

Part Number	Slide Length	Travel	A	B	C	D	E	F
2109-12	11.81 [300]	8.08 [205]	3.78 [96]				9.53 [242]	8.50 [215.9]
2109-14	13.78 [350]	10.25 [260]	5.04 [128]				11.50 [292]	8.50 [215.9]
2109-16	15.75 [400]	11.05 [281]	5.04 [128]				13.47 [342]	8.50 [215.9]
2109-18	17.72 [450]	13.02 [331]	5.04 [128]	8.82 [224]			15.43 [392]	8.50 [215.9]
2109-20	19.69 [500]	14.79 [376]	5.04 [128]	8.82 [224]			17.40 [442]	11.50 [292.1]
2109-22	21.65 [550]	16.34 [415]	5.04 [128]	8.82 [224]	12.60 [320]		19.37 [492]	11.50 [292.1]
2109-24	23.62 [600]	17.74 [451]	5.04 [128]	8.82 [224]	12.60 [320]		21.34 [542]	11.50 [292.1]
2109-26	25.59 [650]	19.20 [488]	5.04 [128]	8.82 [224]	12.60 [320]	16.38 [416]	23.31 [592]	16.50 [419.1]
2109-28	27.56 [700]	20.70 [526]	5.04 [128]	8.82 [224]	11.34 [288]	16.38 [416]	25.28 [642]	16.50 [419.1]

Installation Instructions

Shelf/Drawer Member

1. Separate slide members by lifting up or pressing down the release lever.
2. Locate the screw holes on the shelf/drawer 1-5/8" [41.3] minimum below the underside of the desk top for bracket at its lowest position. See Figure 3.

NOTE: Mounting bracket adjusts vertically in 7/32" [.22] increments. See Figure 2.

3. Position the front of the slide member 1/8" [3.2] behind the shelf/drawer front. Install initial mounting screws through vertical mounting slots. Secure with #8 pan head screws. See Figure 1.

Cabinet Member

1. Attach brackets to slide at desired height and position (inboard or outboard) using self-tapping screws. Cabinet member to be mounted parallel to shelf/drawer sides.
2. Position slide so the front of the cabinet member is 1/8" [3.2] behind the shelf/drawer front when the drawer is in the closed position.
3. Locate screw holes for mounting brackets on the underside of desk top (or equivalent mounting surface). Refer to chart on front (Column "F") for this dimension. See Figure 3.

For Brackets Facing Out

Use the shelf/drawer width **plus** 3.02" [76.7] for bracket screw hole centers. See Figure 2.

For Brackets Facing In

Use the shelf/drawer width **minus** 5/8" [16.0] for bracket screw hole centers. See Figure 2.

NOTE: Tighten bracket screws on one side, then open and close (cycle) drawer a few times to be certain the slides have self adjusted to a parallel movement and are moving freely. Tighten bracket screws on the other side.

4. Adjust height of shelf/drawer and install remaining screws in the moving member.

Slide Ordering Instructions

Complete your slide order for Accuride Model 2109 by specifying the following:

	100 Pair	C 2109 -18 D
Total Slides Required _____	_____	_____
Slide Finish _____	_____	_____
Slide Model _____	_____	_____
Slide Length _____	_____	_____
Optional Polybag Packaging (Includes Bracket Kit) _____	_____	_____

Packaging

Distributor (D) Pack: Polybag contains 1 pair of slides and 1 bracket mounting kit. C finish orders include zinc finish bracket kit; CB finish orders include black finish bracket kit. Bracket kit includes 4 mounting brackets, bracket mounting screws, and slide mounting screws. Slide lengths 12"- 22" are packaged 10 pair per box. Slide lengths 24"- 28" are packaged 5 pair per box.

Bulk Pack: All lengths are packaged 10 pair per box. Slides and bracket mounting kits are ordered and packaged separately. Order 1 bracket kit per pair of slides ordered.

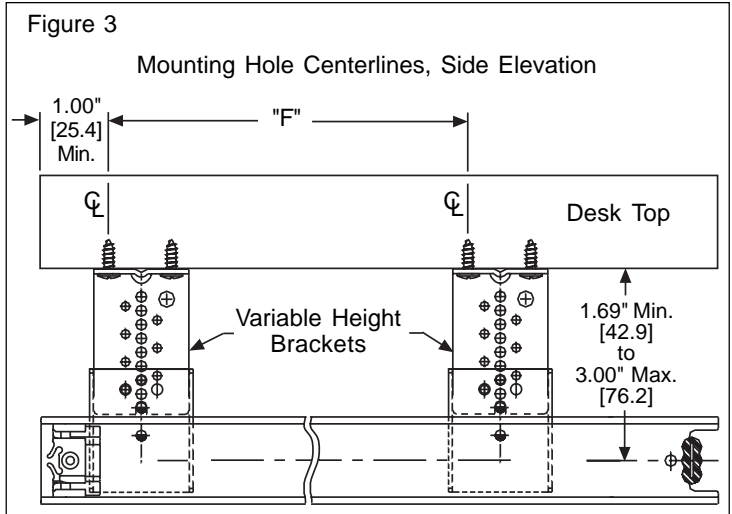
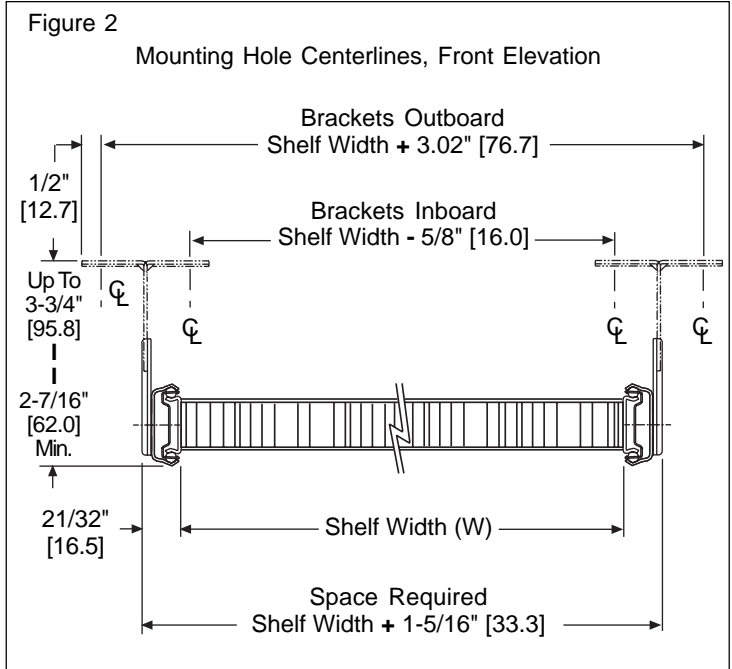
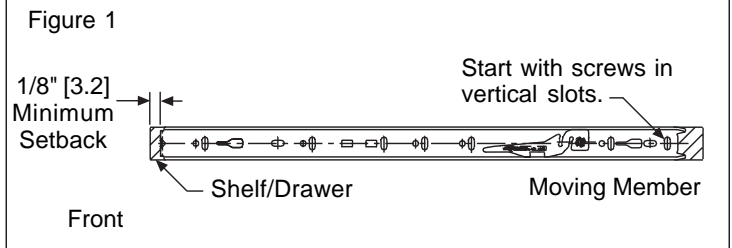
Mounting Bracket Kit - Ordered Separately

For slides ordered in **bulk**, mounting bracket kits are ordered separate. Bracket kits are available in zinc finish and black finish. One kit is needed for each pair of slides ordered.

For **zinc** finish brackets order **kit** part number 4180-0400-XE. For **black** finish brackets order **kit** part number 4180-0401-XE.

Each kit contains 4 brackets, bracket mounting screws, and slide mounting screws.

Copyright © 2002 Accuride International Inc. Printed in U.S.A. 3700-1078(9438)-MK524-R3-0302



Specifications

Slide members: Cold rolled steel
Ball retainers: Cold rolled steel
Ball bearings: Carburized steel

Note: Specifications, materials, prices, terms, and delivery are subject to change without notice.

Accuride

ACCURIDE INTERNATIONAL INC.

12311 Shoemaker Avenue
Santa Fe Springs, CA 90670

TEL (562) 903-0200

FAX (562) 903-0208

www.accuride.com

Manufacturing, Engineering, and Sales

United States • Germany • Japan • Mexico • United Kingdom

Copyright © 2002 Accuride International Inc. Printed in U.S.A. 3700-9438(1078)-MK024-R3-0302