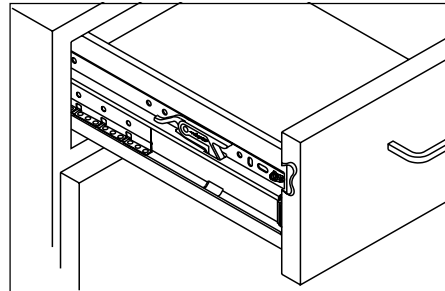
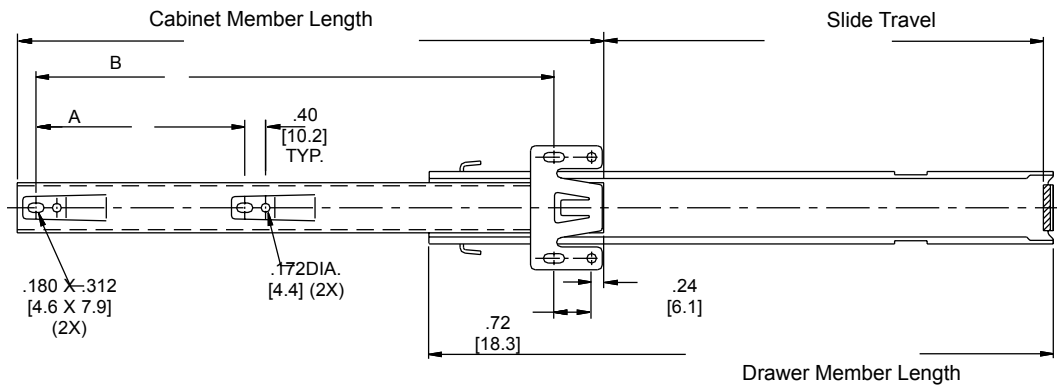
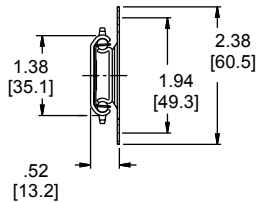
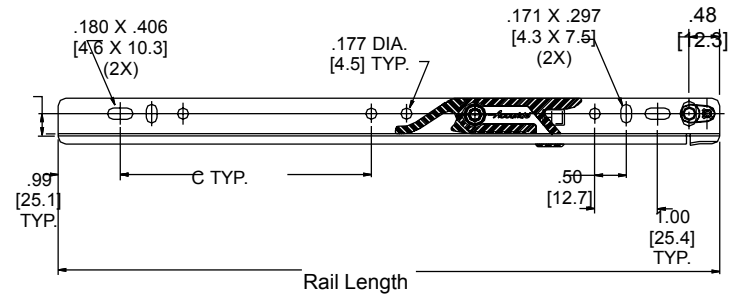


APPLICATIONS: Box drawers in desk and credenza institutional or residential furniture, or whenever a 3/4 extension slide is required. Vertical drawer adjustment with rail cam. **This product is covered by U.S. and various foreign patents issued and/or pending.**

Box Drawer Slide
50 lb. [23 kg.] Capacity**
Vertical Cam Adjustment



.354 ± .030
[9.0 ± .76]



INCHES
[mm]

Finish	Bright electro-zinc (C) or black zinc* (CB)
Length	12" to 28" [302mm to 705mm]
Height	2-1/2" [63.5mm] (including rail)
Travel	3/4 length of slide
Side Space	1/2" + 1/32" / - .00 [12.7mm +0.8mm / -0.0]
Mounting	Handed rail with cam adjustment
Hardware	#8 pan head screws
Load	50 lb. [23 kg.] capacity**
Movement	Polymer ball bearings
Disconnect	Rail
Also	Positive stop, unhanded, silenced in and out stops.

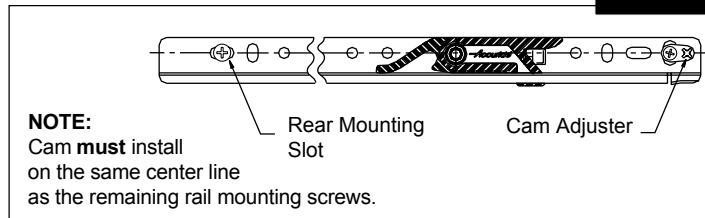
Slide Part Number	Drawer Member Length	Slide Travel	Cabinet Member Length	A	B	Rail Length	C
2037-A12	11.88 [301.8]	8.00 [203.2]	10.00 [254.0]		8.68 [220.5]	10.54 [267.7]	4.00 [101.6]
2037-A14	13.88 [352.6]	10.00 [254.0]	12.00 [304.8]		10.68 [271.3]	10.54 [267.7]	4.00 [101.6]
2037-A16	15.88 [403.4]	12.00 [304.8]	12.00 [304.8]		10.68 [271.3]	13.06 [331.7]	4.00 [101.6]
2037-A18	17.88 [454.2]	14.00 [355.6]	12.00 [304.8]		10.68 [271.3]	13.06 [331.7]	4.00 [101.6]
2037-A20	19.88 [505.0]	16.00 [406.4]	16.00 [406.4]	7.00 [177.8]	14.68 [372.9]	16.84 [427.7]	4.00 [101.6]
2037-A22	21.88 [555.8]	18.00 [457.2]	16.00 [406.4]	7.00 [177.8]	14.68 [372.9]	20.62 [523.8]	7.00 [177.8]
2037-A24	23.88 [606.6]	19.00 [482.6]	16.00 [406.4]	7.00 [177.8]	14.68 [372.9]	20.62 [523.8]	7.00 [177.8]
2037-A26	25.88 [657.4]	20.00 [508.0]	18.00 [457.2]	7.00 [177.8]	16.68 [423.7]	24.40 [619.8]	7.00 [177.8]
2037-A28	27.75 [704.9]	21.00 [533.4]	18.00 [457.2]	7.00 [177.8]	16.68 [423.7]	24.40 [619.8]	7.00 [177.8]

*Minimum order quantities may apply. **Load rating based on an 18" slide on a 12" wide drawer cycled 50,000 times.

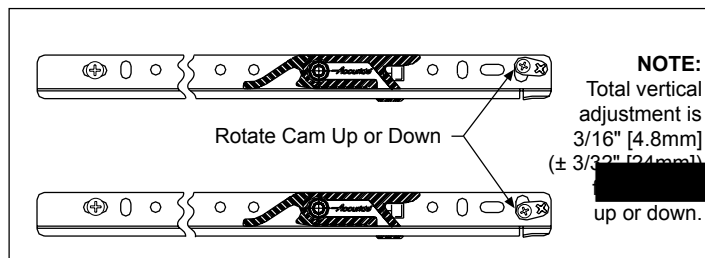
Installation Instructions

1. Install cabinet (small) members into cabinet and secure with a #8 screws through the front mounting bracket and rear mounting tab. Be sure slides are parallel.
2. Install drawer mounting rail to drawer using #8 screws through the cam adjuster and through a hole or slot at the rear. See Figure 1.

NOTE: The cam screw must install on the same center line as the remaining rail mounting screws. This eliminates any additional measuring and marking, and maximizes adjustment range.



3. Connect drawer to extended slide members by lowering the drawer onto the slides so the rail rests on top of the slide members approximately 1" from the front. Pull both slides forward until the rail latch locks securely into each slide.
4. Open the drawer and rotate the cam with a Phillips or Pozi screwdriver to vertically position the drawer in relation to the cabinet.



5. **IMPORTANT:** After all adjustments are made, secure rail with additional mounting screws.

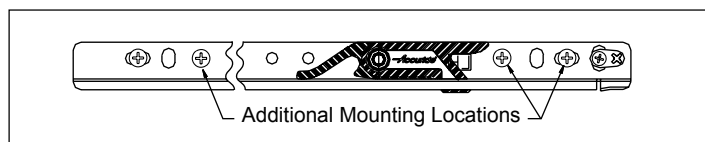
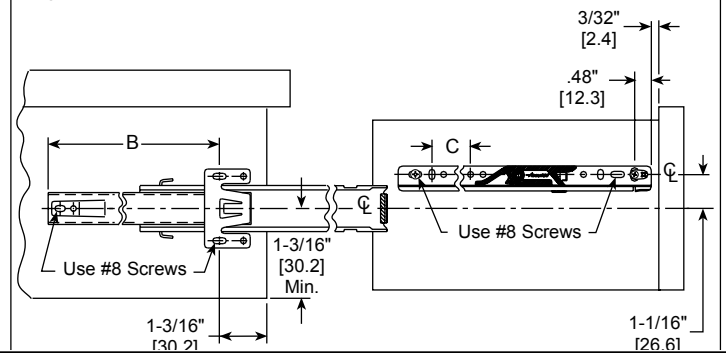


Figure 1



Complete your order for Accuride Model 2037-A by specifying the following.

Total Slides Required _____ 10 Pair C 2037 -A16 D
 Slide Finish _____
 Slide Model _____
 Slide Length _____
 Optional Polybag Packaging (Includes rails) _____

Complete your order to order rails by specifying the following:

Total Rails Required _____ 10 each 7156-1518 -CL (Left hand)
 _____ 10 each 7156-1518 -CR (Right hand)
 Handed Rail Part Number _____
 Rail Finish/Rail Hand _____
 (For zinc finish specify "C". For black finish specify "B".)
 (For left hand rail specify "L". For right hand rail specify "R".)

Packaging

Distributor (D) Pack: Polybag packaging includes one pair of slide, rails, and mounting screws. All lengths are packaged 10 pair per box.

Bulk (P) Pack: Slides, rails, and screws are ordered and packed separate.

Slide lengths 12" - 22" are packaged 25 pair per box.
 Slide lengths 24" - 28" are packaged 15 pair per box.

X-Pack (X): Slides, rails, and mounting screws are packaged in one box. All lengths are packaged 10 pair per box.

Rail Information

Rails are ordered based on the slide length. Refer to the table below for corresponding rail part numbers. For example, a 16" slide will use rail part numbers 7156-1518-CL and 7156-1518-CR.

2037A Handed Rails			
Rail Part Numbers	Fits Slide Length	Rail Length	C
7156-1214-XL & 7156-1214-XR	12" thru 14"	10.54 [267.7]	4.00 [101.6]
7156-1518-XL & 7156-1518-XR	15" thru 18"	13.06 [331.7]	4.00 [101.6]
7156-1921-XL & 7156-1921-XR	19" thru 21"	16.84 [427.7]	4.00 [101.6]
7156-2225-XL & 7156-2225-XR	22" thru 25"	20.62 [523.8]	7.00 [177.8]
7156-2628-XL & 7156-2628-XR	26" thru 28"	24.40 [619.8]	7.00 [177.8]

"X" = "C" for zinc finish; or "B" for black finish

Copyright © 2002 Accuride International Inc. Printed in U.S.A. 3700-1030(9013)-MK513-R5-0603

Ball bearings: Cold-chamber steel
 Ball bearings: Polymer

Note: Specifications, materials, prices, terms, and delivery are subject to change without notice.

Accuride

ACCURIDE INTERNATIONAL INC.

12311 Shoemaker Avenue
 Santa Fe Springs, CA 90670

TEL (562) 903-0200

FAX (562) 903-0208

www.accuride.com

Manufacturing, Engineering, and Sales

United States • Germany • Japan • Mexico • United Kingdom

Copyright © 2002 Accuride International Inc. Printed in U.S.A. 3700-9013(1030)-MK015-R5-0603