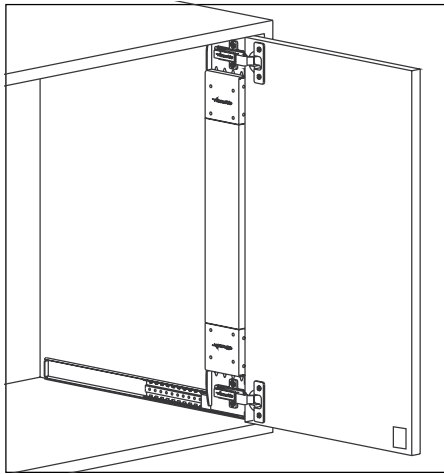




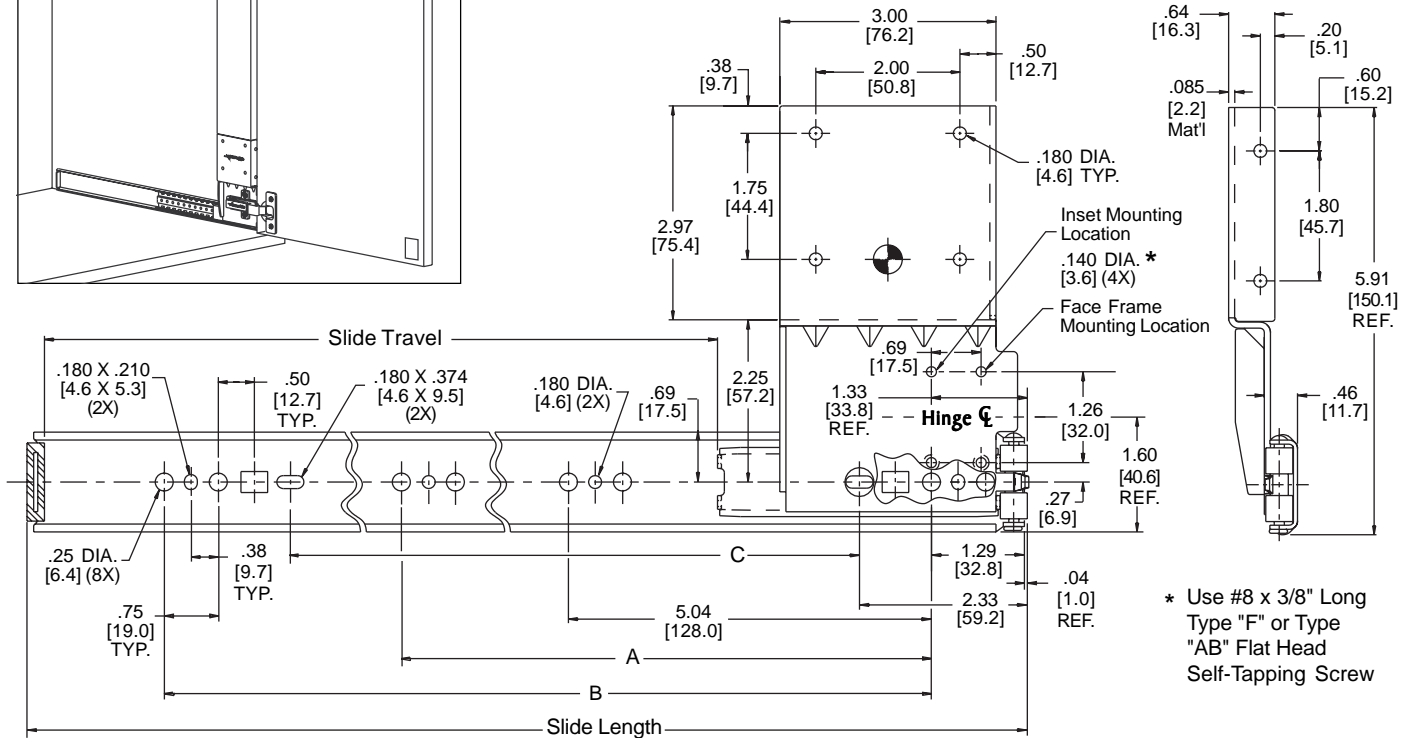
**APPLICATIONS:** Concealed doors of entertainment centers, wall units, and cabinets. Used for horizontal and vertical door applications up to 42" X 24" [1067mm X 610mm].

**MODEL 123 with European Hinge**  
**MODEL 1234 without Hinge**

Clip-On Hinge  
 Flipper Door Slide®  
 Up to 30 lb. [13.6 kg.] Capacity



Model 1234 shown.  
 Model 123 supplied with  
 factory attached base plate.



**Finish** Black zinc (CB) plating only

**Door Sizes** 5/8" [15.9mm] thick minimum to 1-1/4" [31.8mm] thick maximum. Vertical doors 42" [1067mm] high by 24" [610mm] wide. Horizontal door 42" [1067mm] wide by 24" [610mm] tall. When door thickness exceeds 13/16" [20.6mm], or for overlay style doors, a 40mm hinge is required and can be purchased separately.

**Length** 12" to 28" [305mm to 711mm]

**Travel** See chart

**Load Rating** Up to 30 lbs. [13.6 kg.]

**Also** Detent out, door gap can be minimized to zero.

Part Number	Slide Length	Slide Travel	A	B	C
CB123-12	11.94	7.40		8.82	6.07
CB1234-12	[303]	[188]		[224.0]	[154.2]
CB123-14	13.94	9.40		8.82	6.07
CB1234-14	[354]	[239]		[224.0]	[154.2]
CB123-16	15.94	11.40		12.60	9.85
CB1234-16	[405]	[290]		[320.0]	[250.2]
CB123-18	17.94	13.40		13.86	11.11
CB1234-18	[456]	[340]		[352.0]	[282.2]
CB123-20	19.94	15.40		16.38	13.63
CB1234-20	[506]	[391]		[416.0]	[346.2]
CB123-22	21.94	17.40	13.86	18.90	16.15
CB1234-22	[557]	[442]	[352.0]	[480.0]	[410.2]
CB123-24	23.94	19.40	13.86	18.90	16.15
CB1234-24	[608]	[493]	[352.0]	[480.0]	[410.2]
CB123-26	25.94	21.40	13.86	21.42	18.67
CB1234-26	[659]	[543]	[352.0]	[544.0]	[474.2]
CB123-28	27.94	23.40	13.86	23.94	21.19
CB1234-28	[710]	[594]	[352.0]	[608.0]	[538.2]

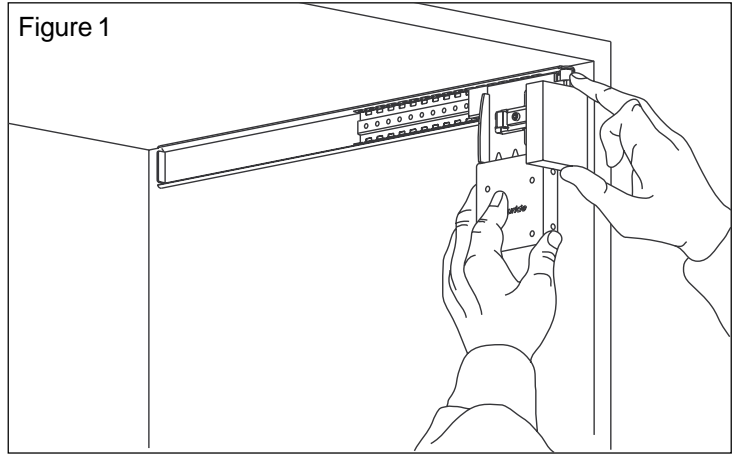
**Step 1**

**Model 1234**

Before installing slide, attach base plate to holes on inner member plate using #8 x 3/8" [#8 x 9.5] self tapping flat head screws<sup>‡</sup> for standard hinge base plates. See front page for hinge location. Use of a spacer will require a 1/2" [12.7] max. long screw.

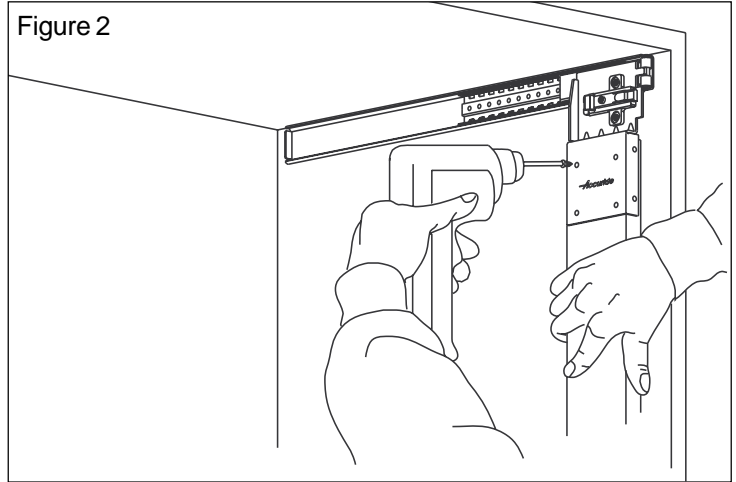
**Model 123 & 1234**

Position slides against the ceiling and floor of the cabinet and inset from the front 1/8" [3.2] plus the door thickness. A shim block of this thickness can be used to locate the slide front exactly as shown in Figure 1. Install screws in front and rear slots.



**Step 2**

Cut the follower strip 6" [152.4] shorter than door height. Maximum thickness for follower strip is 3/4" [19.0]. Position follower strip under mounting plate against the front angle and pull slides forward as shown in Figure 2. This will align both slides parallel. Hold in place and install screws.



**Step 3**

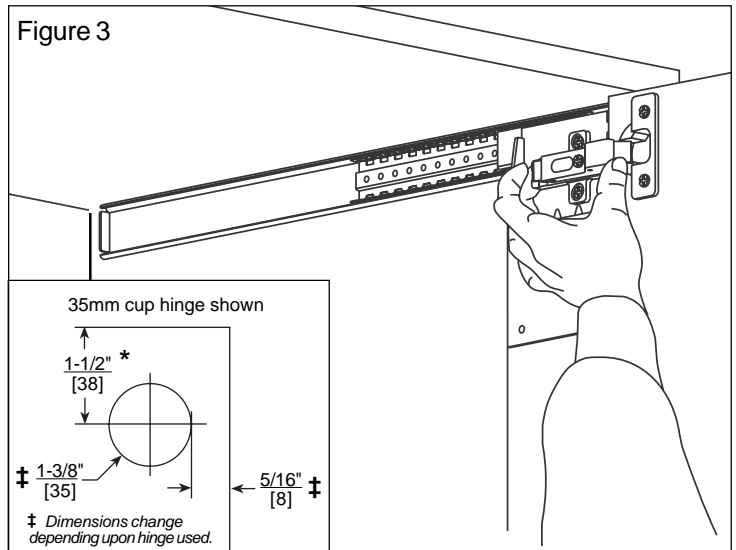
**Model 1234**

Use the table on the back page to determine tab and gap dimensions for hinge of choice. Bore cup holes 1-1/2" [38.0]\* from door top and bottom. Install door and adjust as required.

**Model 123**

Bore 35mm clip-on hinge cup holes 1-1/2" [38.0]\* from the door top and bottom (5/16" [8.0] tab) as shown in Figure 3. Install door and adjust as required.

‡ **NOTE:** This presumes a top and bottom gap of 1/8" [3.2] with the door 1/4" [6.4] shorter than the cabinet opening.

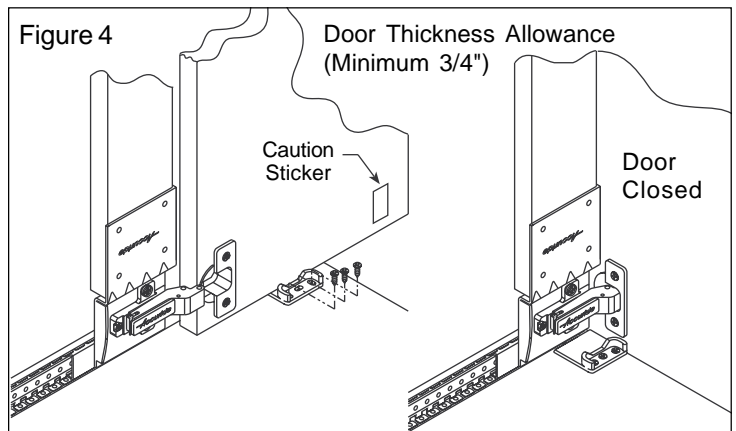


**Placement of Pivot Block**

Two pivot blocks are included in the supplied hardware kit. The purpose of the pivot blocks is to prevent premature rotation of the cabinet door, which can result in scarring of the front face of the door. Refer to Figure 4 for location of block at top and bottom of case. Use two blocks per door. The pivot block should just touch the back side of the door in both the open and closed positions. The deck of the pivot block is a built-in gauge for 3/4" [19.0] thick doors. For partition placement, see "A" dimension on the next page for operating envelope information.

**Placement of "Caution" Sticker**

The "Caution" door sticker should be placed on the inside of the cabinet door, visible when the door is retracted. It is to remind end users to fully extend the door before closing. This will prevent damage to the cabinet. The sticker has a light adhesive that is easily removed and will not damage the finish of the cabinet. See Figure 4.



‡ Screw 2410-3229-BE provided in D-Pack.

Refer to the illustrations below and the chart on page 4 to determine hinge placement for the various applications shown.

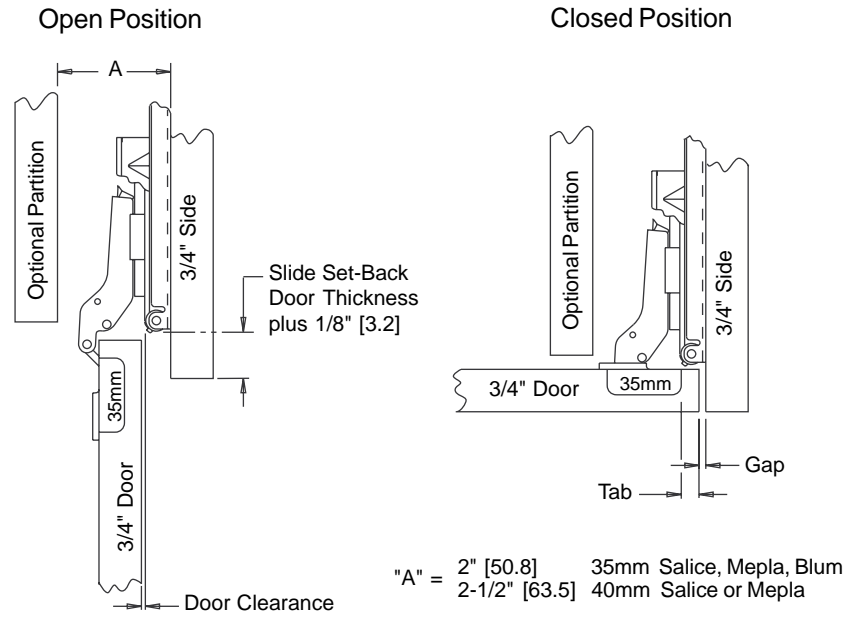
**Inset Application**

Inset application for doors 3/4" to 1-1/4" [19.0 to 31.8] thick. For doors up to 13/16" [20.6] thick, a 35mm hinge and base is supplied by Accuride. Supplied with Model 123 only.

For doors exceeding 13/16" [20.6], use the optional 40mm hinge kit, with 0mm base, specified below. Refer to the chart on the following page for tab and door thickness information.

The hinge base attached to the slide (on Model 123) can be used with any Salice hinge specified on the following page. For thick doors, using a Salice 40mm hinge, use 0mm base included in the kit.

Optional 40mm Hinge Kit (Thick Door)  
Accuride P/N 4180-0313-XE



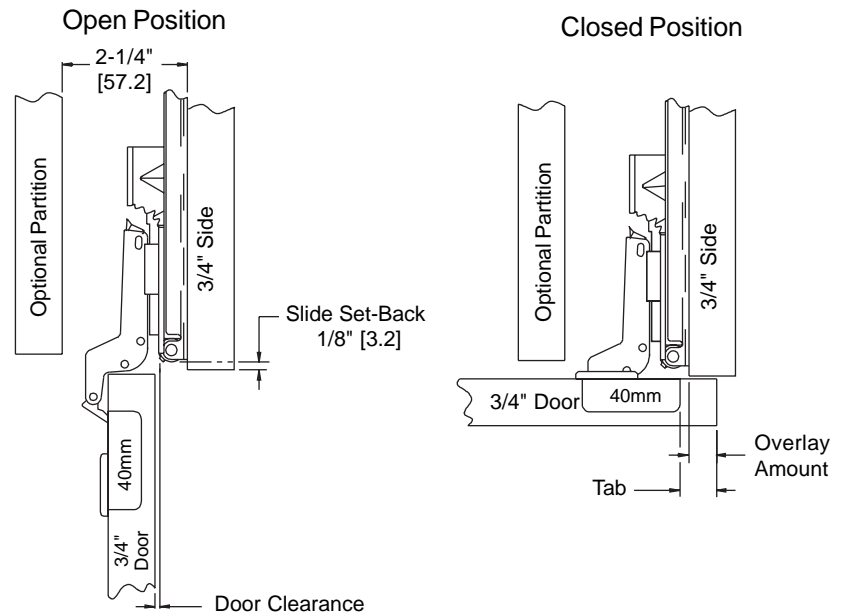
**Overlay Application**

Maximum door thickness up to 15/16" [23.8] depending upon hinge used.

**Requires a 40mm cup hinge.**

Refer to the chart on the following page for tab, door thickness, and overlay information. Specify the optional hinge kit listed below if an overlay installation is desired.

Optional 40mm Hinge Kit (Overlay)  
Accuride Part Number 4180-0314-XE

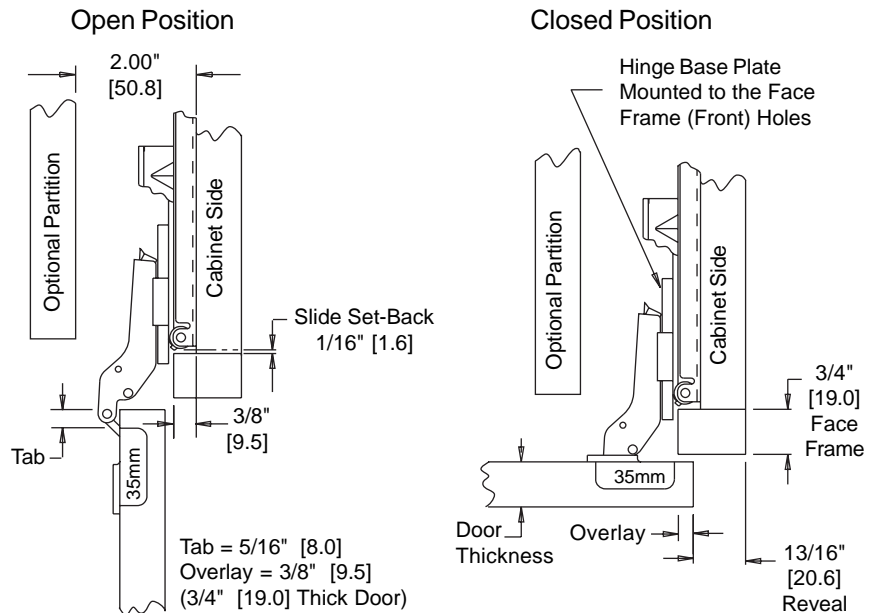


**Face Frame Overlay Application**

Maximum door thickness up to 13/16" [20.6] depending upon hinge used. Doors over 3/4" [19.0] will require hinge adjustment and overlay amount will decrease.

The hinge base plate must be moved forward to the two front face frame holes as indicated in the drawing at the right.

Use 35mm hinge and base as supplied with Accuride Model 123 or equivalent.



## Clip-On Hinge Options

Application	Hinge Cup	Mfg. Part Number	Door Thickness		Maximum Tab		Minimum Gap		Door Clearance			
			mm	inches	mm	inches	mm	inches	mm	inches		
Inset	35mm	(Supplied on 123) Salice C2P7G33 3mm Base BAR3P39 Kit #4180-0391-XE	19.0	3/4	8.0	5/16	0.7	1/32	1.0	1/32		
			20.6	13/16	9.5**	3/8**	0.7	1/32	0.9	1/32		
		Blum 71M9650 0mm Base 175H9100	19.0	3/4	8.0	5/16	2.2	3/32	5.5	7/32		
			20.6	13/16					3.9	5/32		
			22.2	7/8					2.3	3/32		
			23.8	15/16					0.7	1/32		
		Mepla DS05-253S/08	19.0	3/4	6.0	1/4	0.7	1/32	2.0	5/64		
			20.6	13/16					0.4	1/64		
		Inset for Thick Doors	40mm	Salice CFA7P99 0mm Base BAR3P09 Kit #4180-0313-XE	19.0	3/4	14.0	9/16	0.7	1/32	13.0	1/2
					20.6	13/16					11.4	7/16
22.2	7/8				9.8	3/8						
23.8	15/16				8.2	5/16						
25.4	1.00				6.6	1/4						
27.0	1-1/16				5.0	3/16						
28.6	1-1/8				3.4	1/8						
30.2	1-3/16				1.8	1/16						
31.8	1-1/4				0.2	0						
40mm	Mepla DS25-253S/08 *Spacer required for doors 1.00" thick and over DS7250ES37/00		19.0	3/4	6.0	1/4	0.7	1/32	5.5	7/32		
			20.6	13/16					3.9	5/32		
			22.2	7/8					2.3	3/32		
			23.8	15/16	9.0	3/8	0.7	1/32	0.7	1/32		
			25.4	1.00 *					2.1	5/64		
			27.0	1-1/16*					0.5	1/64		
			28.6	1-1/8*	11.0	7/16	1.7	1/16	1.9	5/64		
			30.2	1-3/16*					0.3	1/64		
			<b>Overlay Amount</b>									
Overlay	40mm	Salice CFA7G99 0mm Base BAR3P09 Kit #4180-0314-XE	19.0	3/4	15.0	19/32	11.3	7/16	2.0	5/64		
			20.6	13/16					0.4	1/64		
		Mepla DS25-253S/08	19.0	3/4	11.0	7/16	5.0	3/16	5.5	7/32		
			20.6	13/16					3.9	5/32		
			22.2	7/8					2.3	3/32		
			23.8	15/16					0.7	1/32		

\*\* Requires hinge adjustment to achieve door gap. May require notching.

### Slide Ordering Instructions

Complete your order for Accuride Model 123 or 1234 Flipper Door Slide by specifying the following:

Total Required Slides \_\_\_\_\_ 100 Each      CB 123 -12 D  
 Black Finish \_\_\_\_\_  
 Slide Model \_\_\_\_\_  
 Slide Length \_\_\_\_\_  
 Polybag Packaging - includes hardware kit \_\_\_\_\_

### Packaging Information

#### 123 Packaging

**Distributor (D) Pack:** All lengths are packaged 4 sets/box and each set includes the following parts:

- 1 Pair Slides - With base plate attached
- 1 Each Hinge Kit P/N **4180-0390-XE**

Kit includes black 35mm Clip-On Hinges, #6, #8, and M6 Euro screws, pivot blocks, and "Caution" sticker.

#### 1234 Packaging

**Distributor (D) Pack:** All lengths are packaged 4 sets per box. Each set is polybagged and includes the following parts:

- 1 Pair Slides - No base plate attached
- 1 Each Pivot Block Kit P/N **4180-0315-XE**

Kit includes pivot blocks, mounting screws, and "Caution" sticker.

**X-Pack (X):** Slides, pivot blocks, and mounting hardware are packed in one box without polybags.

- Lengths 12" - 22" are packaged 10 sets per box
- Lengths 24" - 28" are packaged 5 sets per box

### Optional Hardware Kits - Ordered Separately

#### 40mm Salice Clip-On Hinge Kit For Overlay Application Part Number 4180-0314-XE

Kit contains (2) zinc 40mm "overlay" clip-on hinges, (2) base plates, (4) #6 screws, (4) #8 screws, and "Caution" sticker.

#### 40mm Salice Clip-On Hinge Kit Inset for Thick Doors Application Part Number 4180-0313-XE

Kit contains (2) zinc 40mm "inset" clip-on hinges, (2) base plates, (4) #6 screws, (4) #8 screws, and "Caution" sticker.

### Specifications

Slide members and ball retainers: Cold rolled steel  
 Ball bearings: Carburized steel  
 Hinge: Nickel plated stamped steel

**Note:** Specifications, materials, prices, terms, and delivery are subject to change without notice.

# Accuride

ACCURIDE INTERNATIONAL INC.

12311 Shoemaker Avenue  
 Santa Fe Springs, CA 90670

TEL (562) 903-0200  
 FAX (562) 903-0208  
 www accuride.com

Manufacturing, Engineering, and Sales  
 United States • Germany • Japan • Mexico • United Kingdom